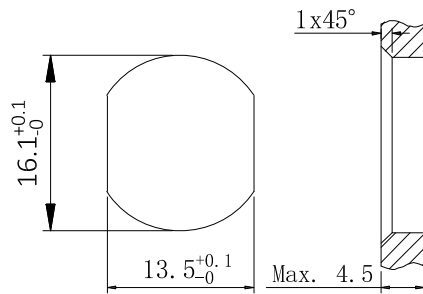
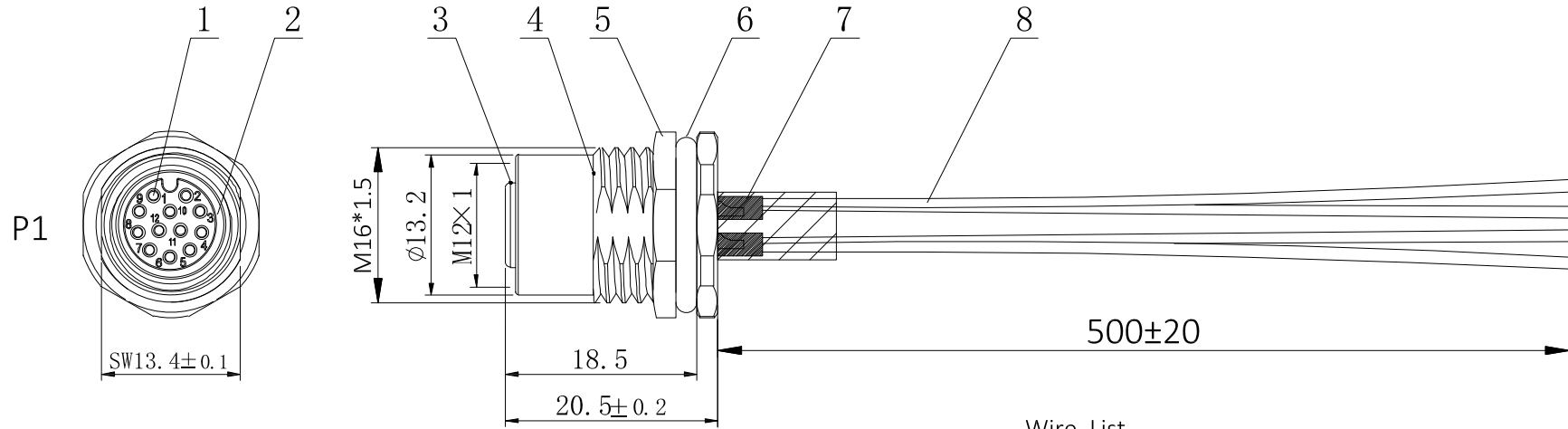
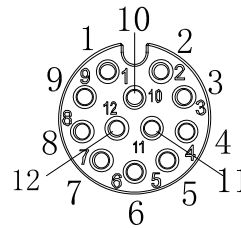




REV	DESCRIPTION	DRAWING	DATE
R1.0	First issue	Xiong	2024.12.09



Recommended Panel cut-out



Pin Assignment Front View

Wire List

P1	Color
PIN 1	BROWN
PIN 2	BLUE
PIN 3	WHITE
PIN 4	GREEN
PIN 5	PINK
PIN 6	YELLOW
PIN 7	BLACK
PIN 8	GRAY
PIN 9	RED
PIN 10	VIOLET
PIN 11	GRAY/PINK
PIN 12	RED/BLUE

8	Wire	26AWG	12
7	Tube	Heat shrink tube, Ø8*15mm, black	1
6	O-Ring	Rubber, Black	1
5	Nut	Brass; Nickel plated	1
4	Body	M12 female Shell, Brass; Nickel plated	1
3	Housing	M12 12Pin female A-Coding, PA66, Black	1
2	O-Ring	Rubber, Black	1
1	Pin	Brass; Gold-plated	12
No.	PART NAME	DESCRIPTION	Q'TY

-TOLERANCES- UNLESS OTHERWISE SPECIFIED	<b>Buy From Original Factory</b> <a href="http://www.elecbee.com">www.elecbee.com</a>					
	PART DESCRIPTION: M12 female A-Coding 12Pin					
UNLESS OTHERWISE SPECIFIED TOLERANCES FOR MILLIMETERS ARE 0.5 - 8mm ± 0.20mm 8 - 30mm ± 0.25mm 30 - 120mm ± 0.30mm	Appr: Jim	P/N: EB-400-2115				
	Check: Jason	Date	Scale	Unit	Rev	Page
	Draw: Xiong	2024.12.10	1:1	MM	R1.0	1/1