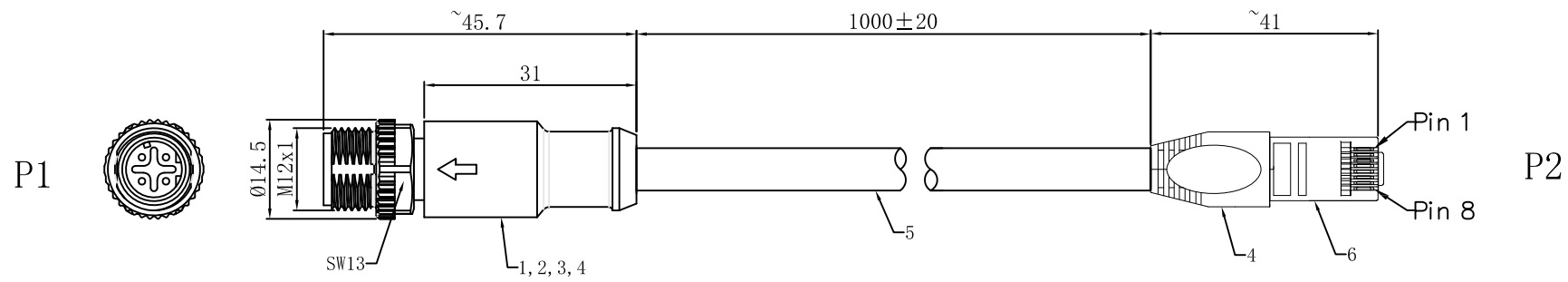
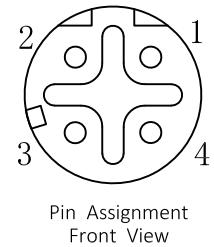




REV	DESCRIPTION	DRAWING	DATE
R1.0	First issue	Xiong	2026.06.10



- M12 Specifications:**
- 1.IP rating: IP67(M12)
  - 2.Ambient temperature: -25℃~+80℃
  - 3.Mating endurance: >500cycles
  - 4.Rated voltage: 250V AC/DC
  - 5.Rated current:4A
  - 6.Contact resistance: ≤5mΩ
  - 7.Insulation resistance:≥100 MΩ



P1	Wire List	P2
PIN 1	white/orange	PIN 1
PIN 3	orange	PIN 2
PIN 2	white/green	PIN 3
PIN 4	green	PIN 6
SHELL	Braid	SHELL

6	Connector	RJ45 8P4C MALE	1
5	Cable	CAT5E 24AWG*2P +ADB, Green PVC jacket	1
4	Overmold	PVC, Black	1
3	Screw	Zinc alloy with nickel plated	1
2	Pin	Brass, Male Pin, Gold Flash	4
1	Connector	M12 Male D-code 4pin Connector	1
No.	PART NAME	DESCRIPTION	Q' TY

<p>-TOLERANCES- UNLESS OTHERWISE SPECIFIED</p>	<p><b>Buy From Original Factory</b> <a href="http://www.elecbee.com">www.elecbee.com</a></p>				
	<p>PART DESCRIPTION: M12 D-Coding 4P male TO RJ45 male Shielded</p>				
<p>UNLESS OTHERWISE SPECIFIED TOLERANCES FOR MILLIMETERS ARE: 0.5 - 8mm ± 0.20mm 8 - 30mm ± 0.25mm 30 -120mm ± 0.30mm</p>	<p>Appr: Jim</p>	<p>P/N: EB-400-2250</p>			
	<p>Check: Jason</p>	<p>Date</p>	<p>Scale</p>	<p>Unit</p>	<p>Rev</p>
	<p>Draw: Xiong</p>	<p>2025.06.10</p>	<p>1:1</p>	<p>MM</p>	<p>R1.0</p>