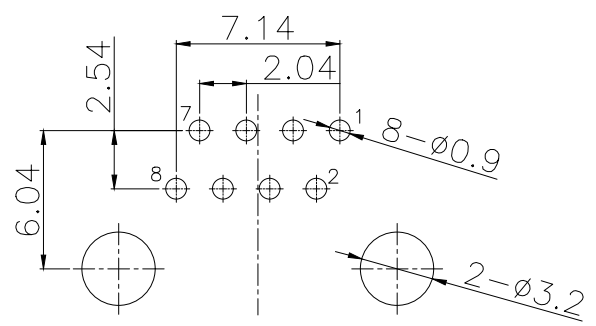
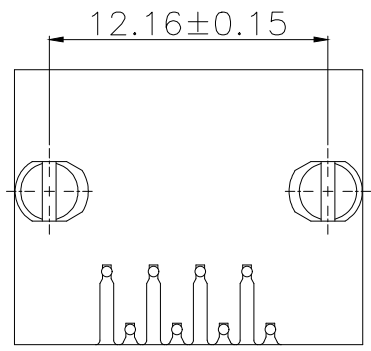
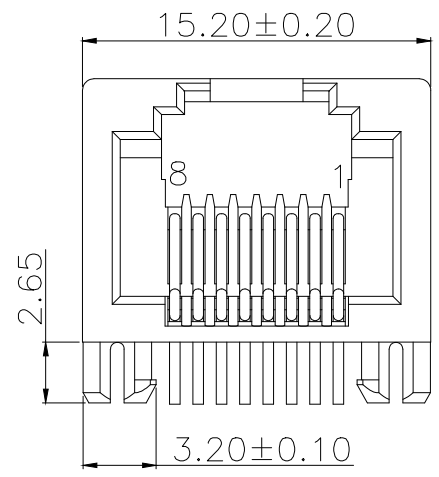
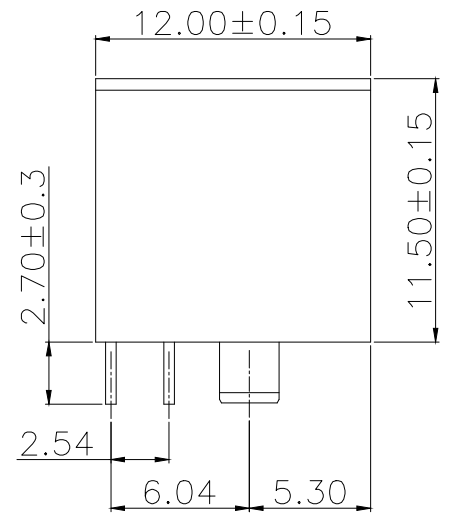




REV	DESCRIPTION	DRAWING	DATE
R1.0	First issue	Riky	2024.12.10



RECOMMEND PCB LAYOUT
T=1.6mm

NOTES:
ELECTRICAL:

- 1.VOLTAGE RATING: 125V AC.
- 2.CURRENT RATING: 1.5A.
- 3.CONTACT RESISTANCE: 30 mΩ MAX.
- 4.INSULATION RESISTANCE: 500MΩ MIN.
- 5.DIELECTRIC STRENGTH: 1000V AC.

MECHANICAL:

- 1.INSERT MATERIAL: PBT UL94V-0.
COLOR:SEE TABLE.
- 2.CONTACT MATERIAL: ∅0.46mm PHOSPHOR BRONZE.
GOLD PLATING OVER NICKEL.
- 3.MATING/UNMATING FORCE: 20N Max.
- 4.RETENTION STRENGTH: 50N
- 5.OPERATING LIFE: 750 CYCLES MIN.

ENVIRONMENTAL:

- 1.STORAGE: -40°C ~ +85°C.
- 2.OPERATION: -40°C ~ +85°C.

BLUE	EB-500-7143
YELLOW	EB-500-7142
BLACK	EB-500-7141
ORANGR	EB-500-7140
COLOR	P/N

-TOLERANCES- UNLESS OTHERWISE SPECIFIED	Buy From Original Factory www.elecbee.com				
		PART NAME: RJ45 Jack Right Angled 8p8c Through Hole without Shielded			
UNLESS OTHERWISE SPECIFIED TOLERANCES FOR MILLIMETERS ARE: 0.5 - 8mm ± 0.20mm 8 - 30mm ± 0.25mm 30 -120mm ± 0.30mm	Appr: Jim	P/N: SEE TABLE			
	Check: Jason	Date	Scale	Unit	Rev
	Draw: Riky	2024.12.10	1:1	MM	R1.0