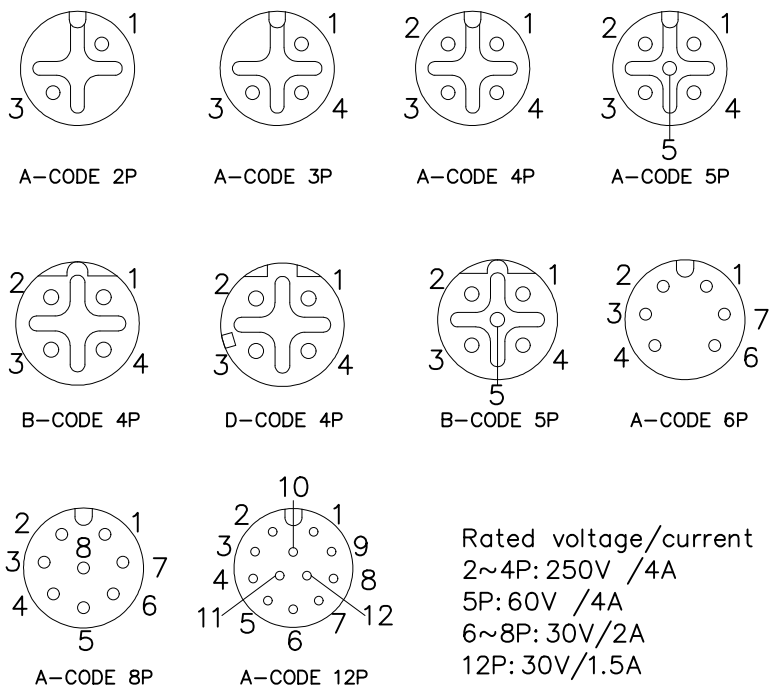
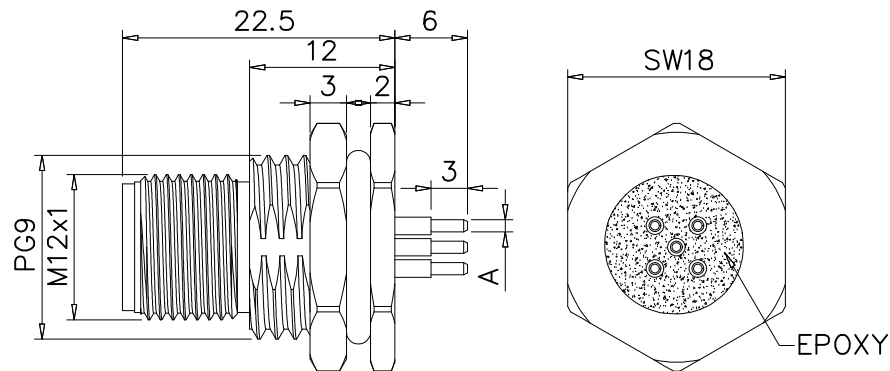
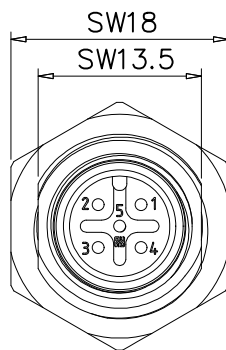
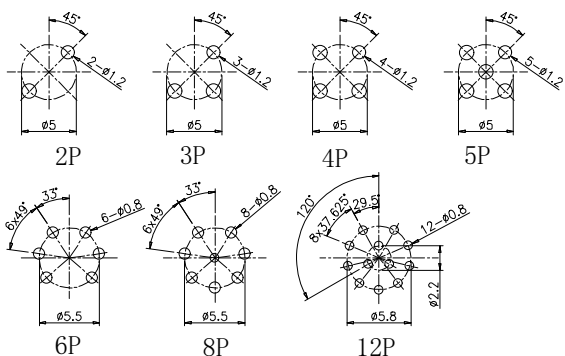




### Core layout

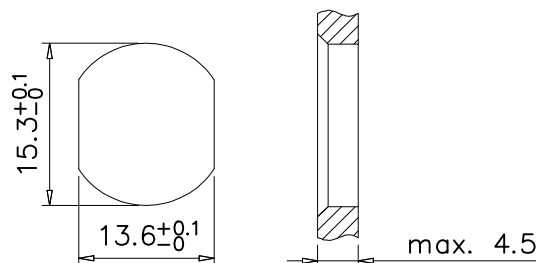


### PCB layout



A:  
 2-5P :  $\varnothing 1$   
 6-12P:  $\varnothing 0.6$

Note:  
 Nut is packed separately in PE bag



Recommended Panel cut-out

### Technical specifications

Insulation Resistance	100M $\Omega$ Min.
Contact Resistance	5m $\Omega$ Max.
Working Temperature	-40°C~+85°C
Protection Degree	IP67
Mating cycles	500 Min.
Standard	IEC 61076-2-101

5	Nut	zinc alloy with Nickel plated	pcs	1
4	Seal	Rubber,Black	pcs	1
3	Contacts	Brass with AU plated	pcs	2~12
2	Insert	PA66 UL94V-0,Green	pcs	1
1	Body	zinc alloy with Nickel plated	pcs	1
No.	Part Name	Description	Unit	Qty

-TOLERANCES-  
UNLESS OTHERWISE  
SPECIFIED

UNLESS OTHERWISE SPECIFIED  
TOLERANCES FOR MILLIMETERS ARE:  
 0.5 - 8mm  $\pm$  0.20mm  
 8 - 30mm  $\pm$  0.25mm  
 30 -120mm  $\pm$  0.30mm

## Buy From Original Factory

[www.elecbee.com](http://www.elecbee.com)

PART NAME: M12 Male Connector Panel Mount PCB Type Front fastened					
Appr: Jim	P/N: EB-634-3554-XX				
Check: Jason	Date	Scale	Unit	Rev	Page
Draw: Ricky	2026.03.10	1:1	MM	R1.0	1/1

REV	DESCRIPTION	DRAWING	DATE
R1.0	First issue	Riky	2026.03.10