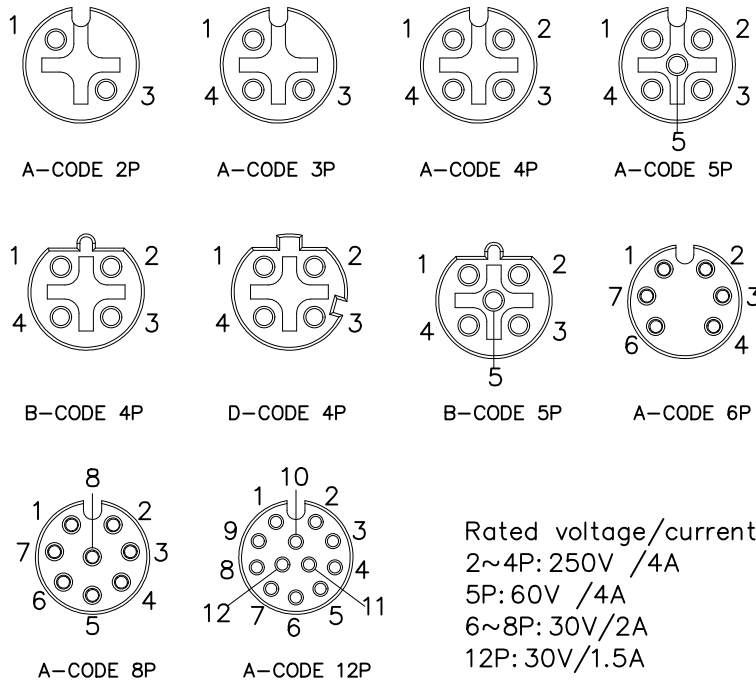
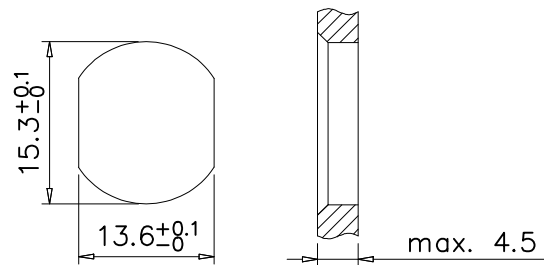




Core layout

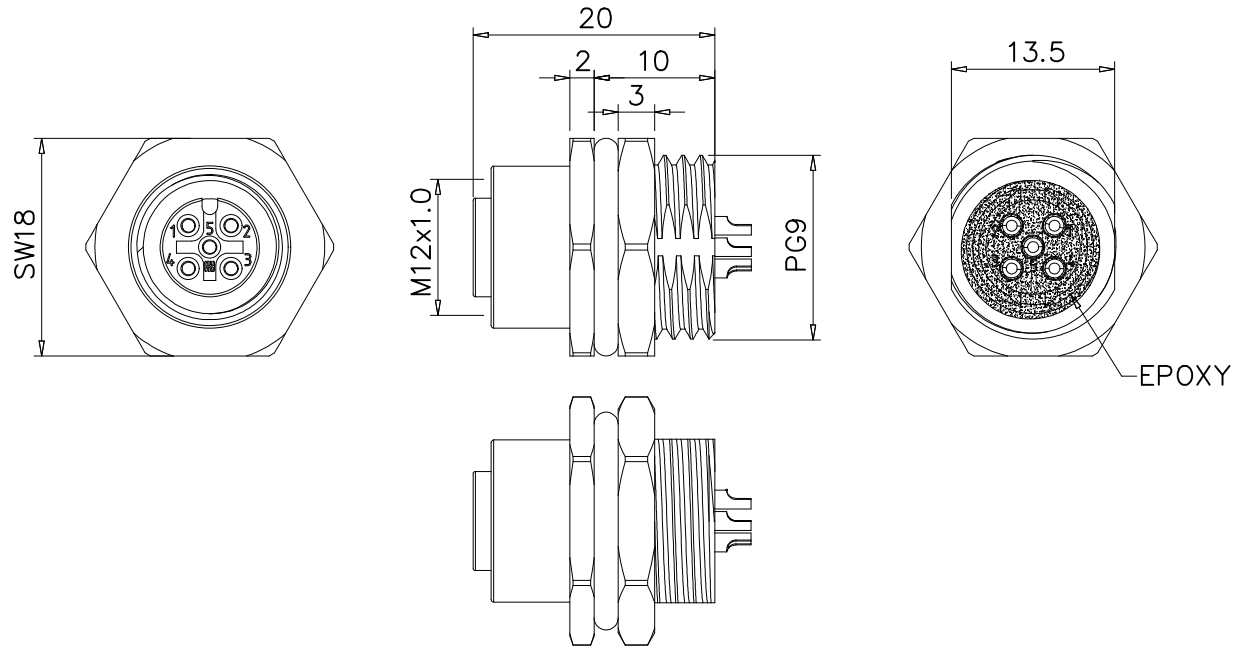


Rated voltage/current
 2~4P: 250V /4A
 5P: 60V /4A
 6~8P: 30V/2A
 12P: 30V/1.5A

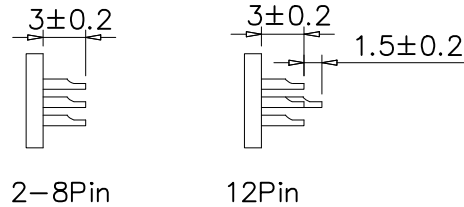


Recommended Panel cut-out

REV	DESCRIPTION	DRAWING	DATE
R1.0	First issue	Riky	2026.03.10



Note:
Nut is packed separately in PE bag



Technical specifications	
Insulation Resistance	100MΩ Min.
Contact Resistance	5mΩ Max.
Working Temperature	-40°C~+85°C
Protection Degree	IP67
Mating cycles	500 Min.
Standard	IEC 61076-2-101

5	Nut	zinc alloy with Nickel plated	pcs	1
4	Seal	Rubber,Black	pcs	1
3	Contacts	Brass with AU plated	pcs	2~12
2	Insert	PA66 UL94V-0,Green	pcs	1
1	Body	zinc alloy with Nickel plated	pcs	1
No.	Part Name	Description	Unit	Qty

-TOLERANCES-
UNLESS OTHERWISE
SPECIFIED

UNLESS OTHERWISE SPECIFIED
TOLERANCES FOR MILLIMETERS ARE:
 0.5 - 8mm ± 0.20mm
 8 - 30mm ± 0.25mm
 30 -120mm ± 0.30mm

Buy From Original Factory

www.elecbee.com

PART NAME: M12 Female Connector Panel Mount Solder Back fastened		P/N: EB-634-3549-XX			
Appr: Jim	Date	Scale	Unit	Rev	Page
Check: Jason	2026.03.10	1:1	MM	R1.0	1/1
Draw: Riky					