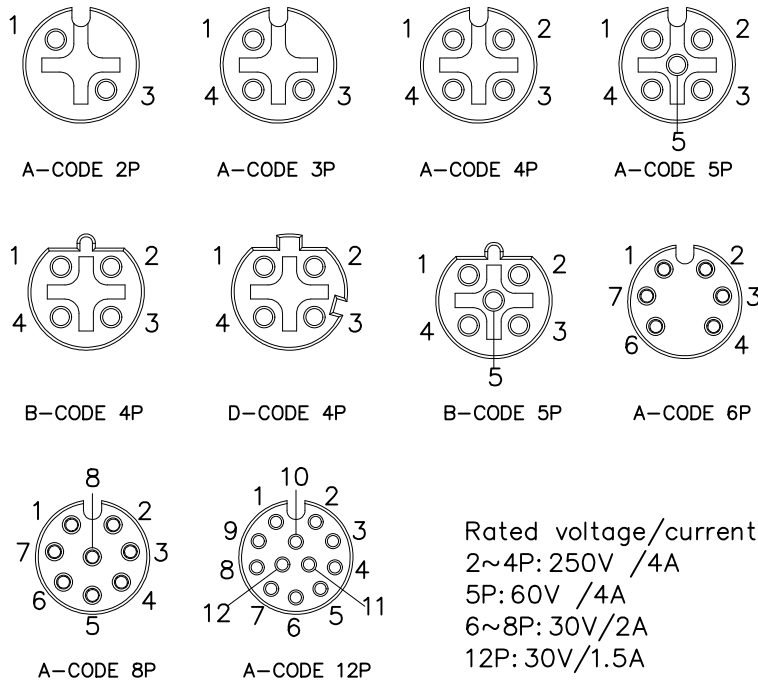


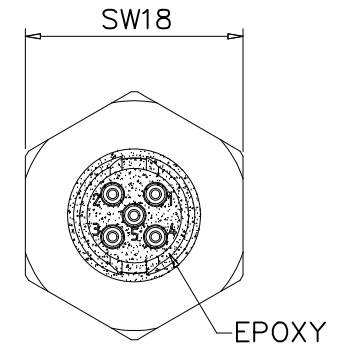
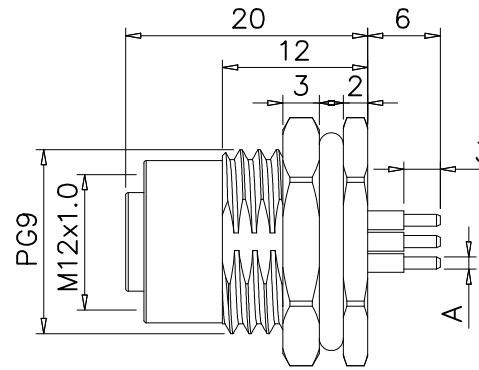
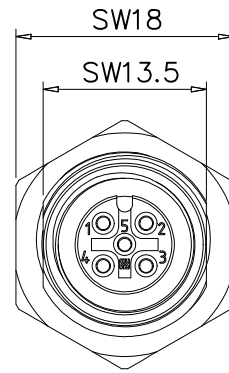
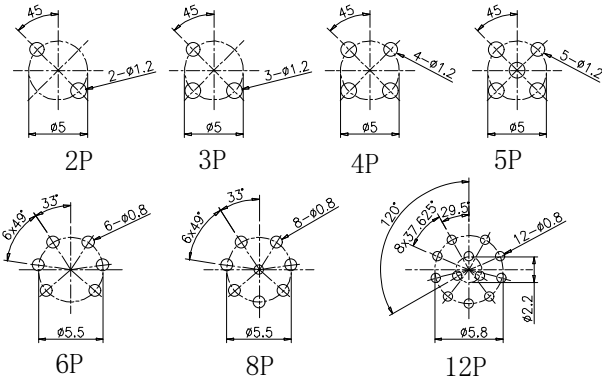


Core layout



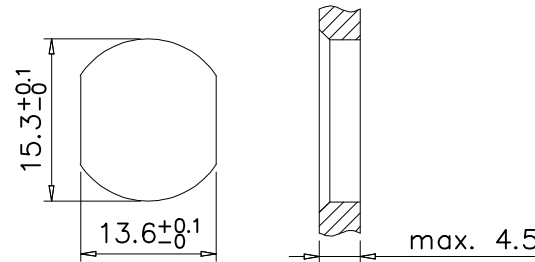
Rated voltage/current  
 2~4P: 250V /4A  
 5P: 60V /4A  
 6~8P: 30V/2A  
 12P: 30V/1.5A

PCB layout



A:  
 2-5P : Ø1  
 6-12P: Ø0.6

Note:  
 Nut is packed separately in PE bag



Recommended Panel cut-out

Technical specifications

Insulation Resistance	100MΩ Min.
Contact Resistance	5mΩ Max.
Working Temperature	-40°C~+85°C
Protection Degree	IP67
Mating cycles	500 Min.
Standard	IEC 61076-2-101

5	Nut	zinc alloy with Nickel plated	pcs	1
4	Seal	Rubber,Black	pcs	1
3	Contacts	Brass with AU plated	pcs	2~12
2	Insert	PA66 UL94V-0,Green	pcs	1
1	Body	zinc alloy with Nickel plated	pcs	1
No.	Part Name	Description	Unit	Qty

-TOLERANCES-  
UNLESS OTHERWISE  
SPECIFIED

UNLESS OTHERWISE SPECIFIED  
TOLERANCES FOR MILLIMETERS ARE:  
 0.5 - 8mm ± 0.20mm  
 8 - 30mm ± 0.25mm  
 30 -120mm ± 0.30mm

**Buy From Original Factory**  
[www.elecbee.com](http://www.elecbee.com)

PART NAME: M12 Female Connector Panel  
 Mount PCB Type Front fastened

Appr: Jim  
 Check: Jason  
 Draw: Ricky

P/N: EB-634-3556-XX

Date	Scale	Unit	Rev	Page
2026.03.10	1:1	MM	R1.0	1/1