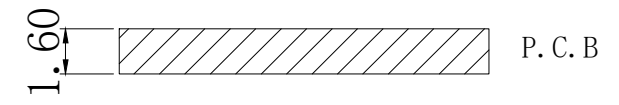
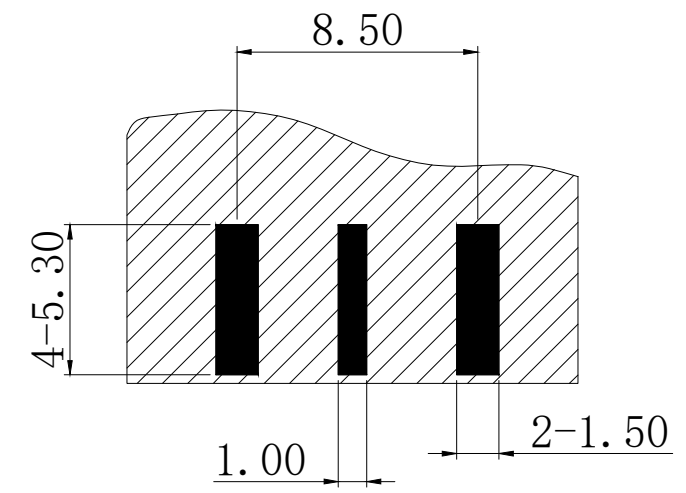
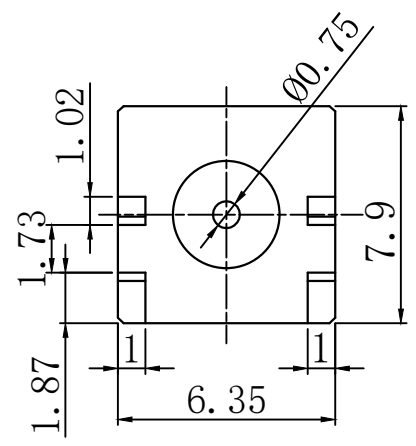
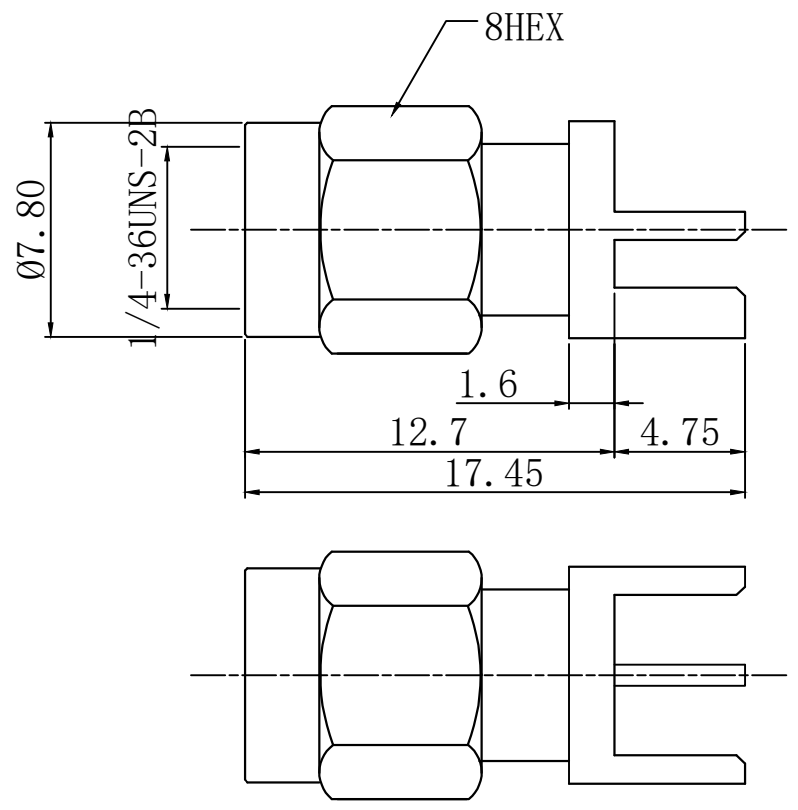




REV	DESCRIPTION	DRAWING	DATE
R1.0	First issue	Riky	2024.12.10



LAND FOR SOLDER RASTE

P.C.B LAYOUT DIM

**Specifications:**

- IMPEDANCE: 50 Ohms
- Frequency range: 0~6GHZ
- VSWR: 1.5MAX
- Voltage Rating: 335 Volts RMS Continuous
- Dielectric withstand voltage: 1000 V
- Service life: ≥500
- Insulation Resistance ≥5000MΩ
- Center contact resistance: ≤3mΩ
- Outer contact resistance: □ ≤2mΩ
- Operation Temperature: -55°C ~ +165°C

3	PIN	BRASS	GOLD	1
2	DIELECTRIC	TEFLON	NATURE	1
1	BODY	BRASS	GOLD	1
NO	DESCRIPTION	MATERIAL	FINISH	QTY

-TOLERANCES- UNLESS OTHERWISE SPECIFIED  UNLESS OTHERWISE SPECIFIED TOLERANCES FOR MILLIMETERS ARE: 0.5 - 8mm ± 0.20mm 8 - 30mm ± 0.25mm 30 -120mm ± 0.30mm			<b>Buy From Original Factory</b> <a href="http://www.elecbee.com">www.elecbee.com</a>			
	PART NAME: SMA PLUG CONNECTORS		P/N: EB-SMA-BMT-ST-M-3-013			
Appr: Jim Check: Jason Draw: Riky	Date: 2024.12.10	Scale: 1:1	Unit: MM	Rev: R1.0	Page: 1/1	