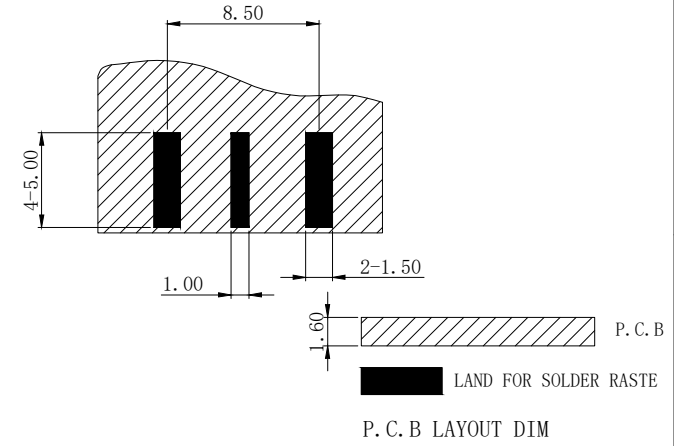
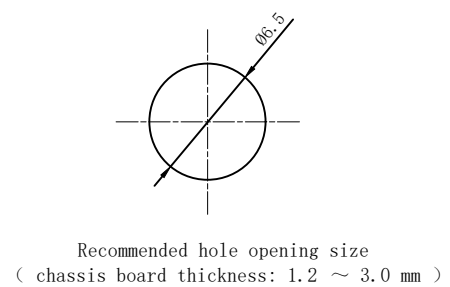
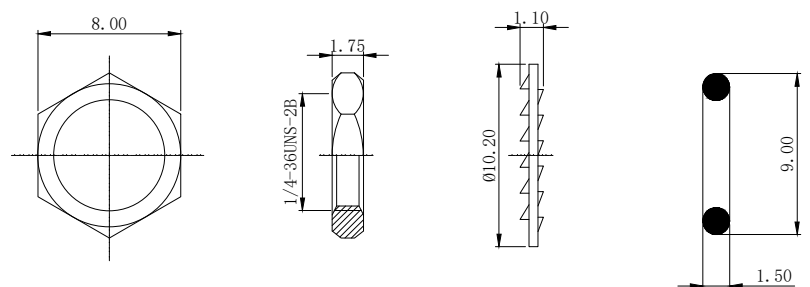
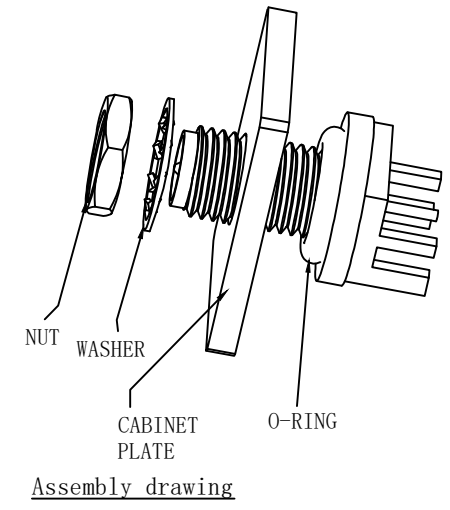
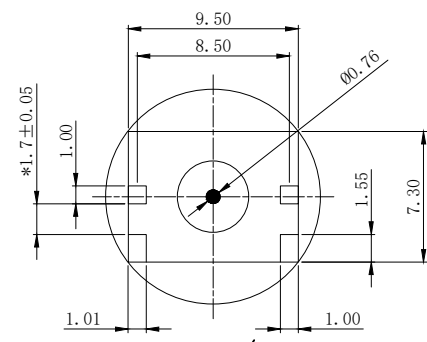
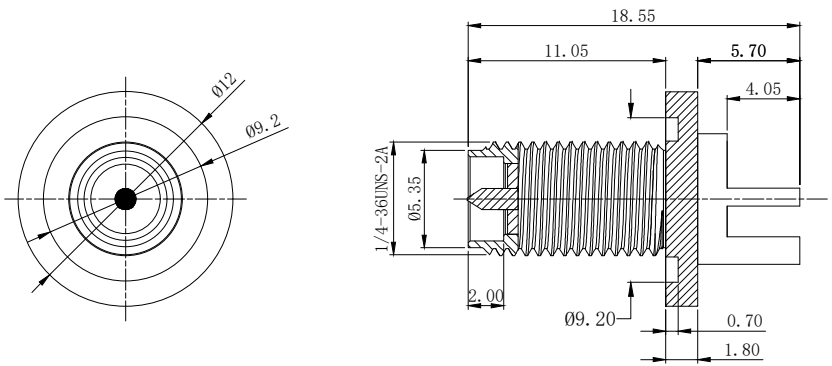




REV	DESCRIPTION	DRAWING	DATE
R1.0	First issue	Riky	2024.12.10



Specifications:
 IMPEDANCE: 50 Ohms
 Frequency range: 0~6GHZ
 VSWR: 1.5MAX
 Voltage Rating: 335 Volts RMS Continuous
 Dielectric withstand voltage: 1000 V
 Service life: ≥500
 Insulation Resistance ≥5000MΩ
 Center contact resistance: ≤3mΩ
 Outer contact resistance : □≤2mΩ
 Operation Temperature: -55℃ ~ +165℃
 Waterproof Range: IP67, Mated

NO	DESCRIPTION	MATERIAL	FINISH	QTY
6	NUT	BRASS	GOLD	1
5	WASHER	IRON	GOLD	1
4	O-RING	RUBBER	RED	1
3	CONTACT PIN	BRASS	GOLD	1
2	INSULATOR	PTFE	NINE	1
1	BOOY	BRASS	GOLD	1

-TOLERANCES-
UNLESS OTHERWISE
SPECIFIED

UNLESS OTHERWISE SPECIFIED
TOLERANCES FOR MILLIMETERS ARE:
 0.5 - 8mm ± 0.20mm
 8 - 30mm ± 0.25mm
 30 - 120mm ± 0.30mm

Buy From Original Factory
www.elecbee.com

ELECbee
Not Your Original Factory

Appr: Jim

Check: Jason

Draw: Riky

PART NAME: WATER PROOF RP SMA JACK FOR PCB

P/N: EB-SMA-RP-BMT-ST-F-6-015-67

Date	Scale	Unit	Rev	Page
2024.12.10	1:1	MM	R1.0	1/1