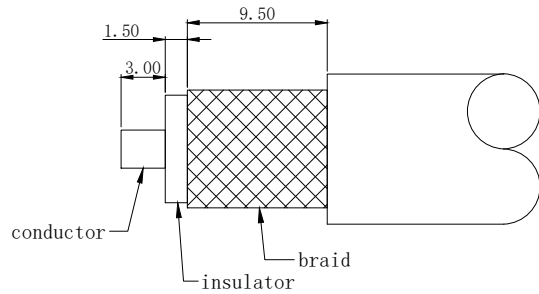
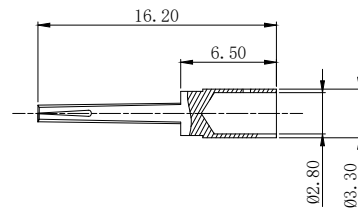
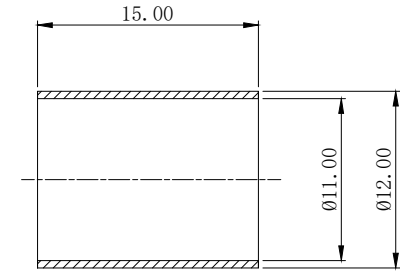
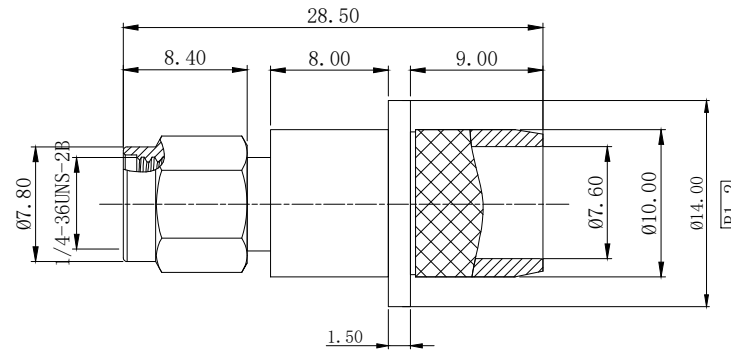
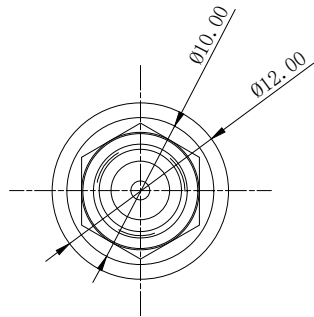




REV	DESCRIPTION	DRAWING	DATE
R1.0	First issue	Riky	2024.12.10



Recommended stripping size



Specifications:

- IMPEDANCE: 50 Ohms
- Frequency range: 0~6GHZ
- VSWR: 1.5MAX
- Voltage Rating: 335 Volts RMS Continuous
- Dielectric withstand voltage: 1000 V
- Service life: ≥500
- Insulation Resistance ≥5000MΩ
- Center contact resistance: ≤3mΩ
- Outer contact resistance : ≤2mΩ
- Operation Temperature: -55°C ~ +165°C

4	Copper pipe	BRASS	NICKEL	1
3	CONTACT PIN	BRASS	GOLD	1
2	INSULATOR	PTFE	NINE	1
1	BOOY	BRASS	NICKEL	1
NO	DESCRIPTION	MATERIAL	FINISH	QTY

<p>-TOLERANCES- UNLESS OTHERWISE SPECIFIED</p>	<p>Buy From Original Factory www.elecbee.com</p>					
	<p>UNLESS OTHERWISE SPECIFIED TOLERANCES FOR MILLIMETERS ARE: 0.5 - 8mm ± 0.20mm 8 - 30mm ± 0.25mm 30 -120mm ± 0.30mm</p>		<p>PART NAME: RP SMA PLUG FOR LMR400 CABLE</p>			
<p>Appr: Jim</p>	<p>P/N: EB-SMA-RP-CC-ST-M-6-029</p>					
<p>Check: Jason</p>	Date	Scale	Unit	Rev	Page	
<p>Draw: Riky</p>	2024.12.10	1:1	MM	R1.0	1/1	