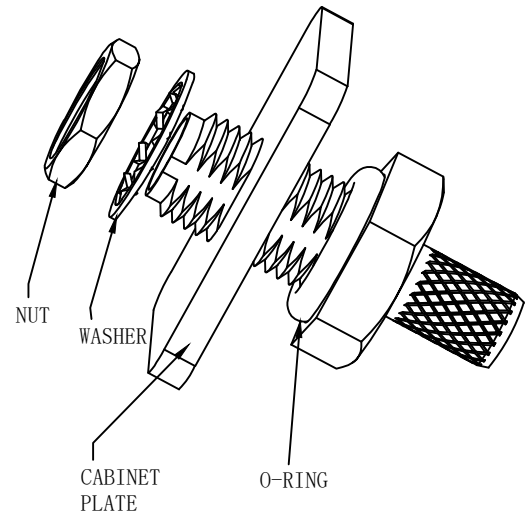
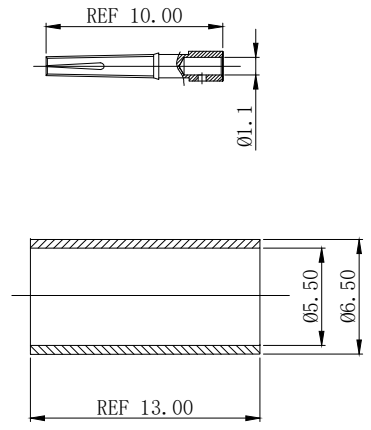
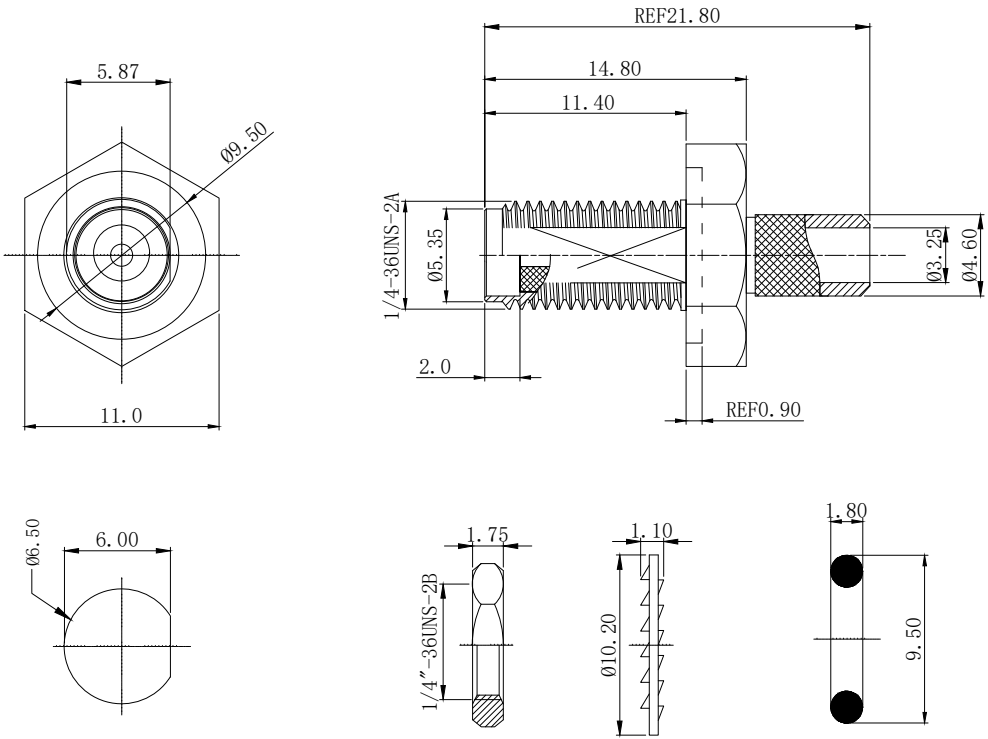




REV	DESCRIPTION	DRAWING	DATE
R1.0	First issue	Riky	2024.12.10



Assembly drawing

**Specifications:**  
 IMPEDANCE: 50 Ohms  
 Frequency range: 0~6GHZ  
 VSWR: 1.5MAX  
 Voltage Rating: 335 Volts RMS Continuous  
 Dielectric withstand voltage: 1000 V  
 Service life: ≥500  
 Insulation Resistance ≥5000MΩ  
 Center contact resistance: ≤3mΩ  
 Outer contact resistance: ≤2mΩ  
 Operation Temperature: -55°C ~ +165°C  
 Waterproof Range: IP67, Mated

Recommended hole opening size  
 (chassis board thickness: 1.2 ~ 3.0 mm )

NO	DESCRIPTION	MATERIAL	FINISH	QTY
7	COPPER TUBE	BRASS	NICKEL	1
6	NUT	BRASS	GOLD	1
5	WASHER	IRON	GLD	1
4	O-RING	RUBBER	RED	1
3	CENTER CONTACT	BRASS	GOLD	1
2	INSULATOR	PTFE	NATURE	1
1	BODY	BRASS	GOLD	1

-TOLERANCES-  
UNLESS OTHERWISE SPECIFIED

UNLESS OTHERWISE SPECIFIED  
TOLERANCES FOR MILLIMETERS ARE:  
 0.5 - 8mm ± 0.20mm  
 8 - 30mm ± 0.25mm  
 30 - 120mm ± 0.30mm

**Buy From Original Factory**  
www.elecbee.com

**PART NAME:**  
WATERPROOF SMA JACK FOR RG58/LMR195 CABLE

**P/N:** EB-SMA-CC-ST-F-6-030-67

Appr:	Jim	Date	Scale	Unit	Rev	Page
Check:	Jason	2024.12.10	1:1	MM	R1.0	1/1
Draw:	Riky					