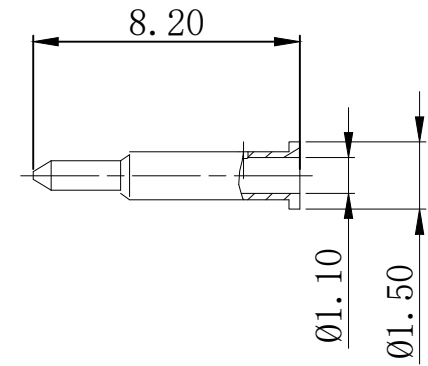
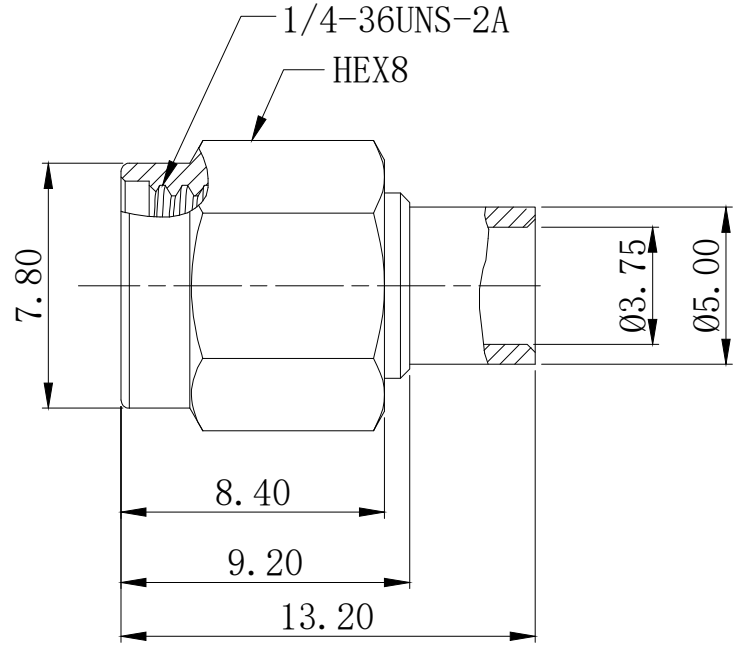




REV	DESCRIPTION	DRAWING	DATE
R1.0	First issue	Riky	2024.12.10



Specifications:

IMPEDANCE: 50 Ohms
 Frequency range: 0~6GHZ
 VSWR: 1.5MAX
 Voltage Rating: 335 Volts RMS Continuous
 Dielectric withstand voltage: 1000 V
 Service life: ≥500
 Insulation Resistance ≥5000MΩ
 Center contact resistance: ≤3mΩ
 Outer contact resistance : □≤2mΩ
 Operation Temperature: -55°C ~ +165°C

3	PIN	BRASS	GOLD	1
2	DIELECTRIC	PTFE	WHITE	1
1	BODY	BRASS	GOLD	1
NO	DESCRIPTION	MATERIAL	FINISH	QTY

-TOLERANCES- UNLESS OTHERWISE SPECIFIED	Buy From Original Factory www.elecbee.com				
			PART NAME: SMA PLUG FOR RG402 CABLE		
UNLESS OTHERWISE SPECIFIED TOLERANCES FOR MILLIMETERS ARE: 0.5 - 8mm ± 0.20mm 8 - 30mm ± 0.25mm 30 - 120mm ± 0.30mm	Appr:	Jim	P/N: EB-SMA-CS-ST-M-6-031		
	Check:	Jason	Date	Scale	Unit
	Draw:	Riky	2024.12.10	1:1	MM
			Rev	Page	
			R1.0	1/1	