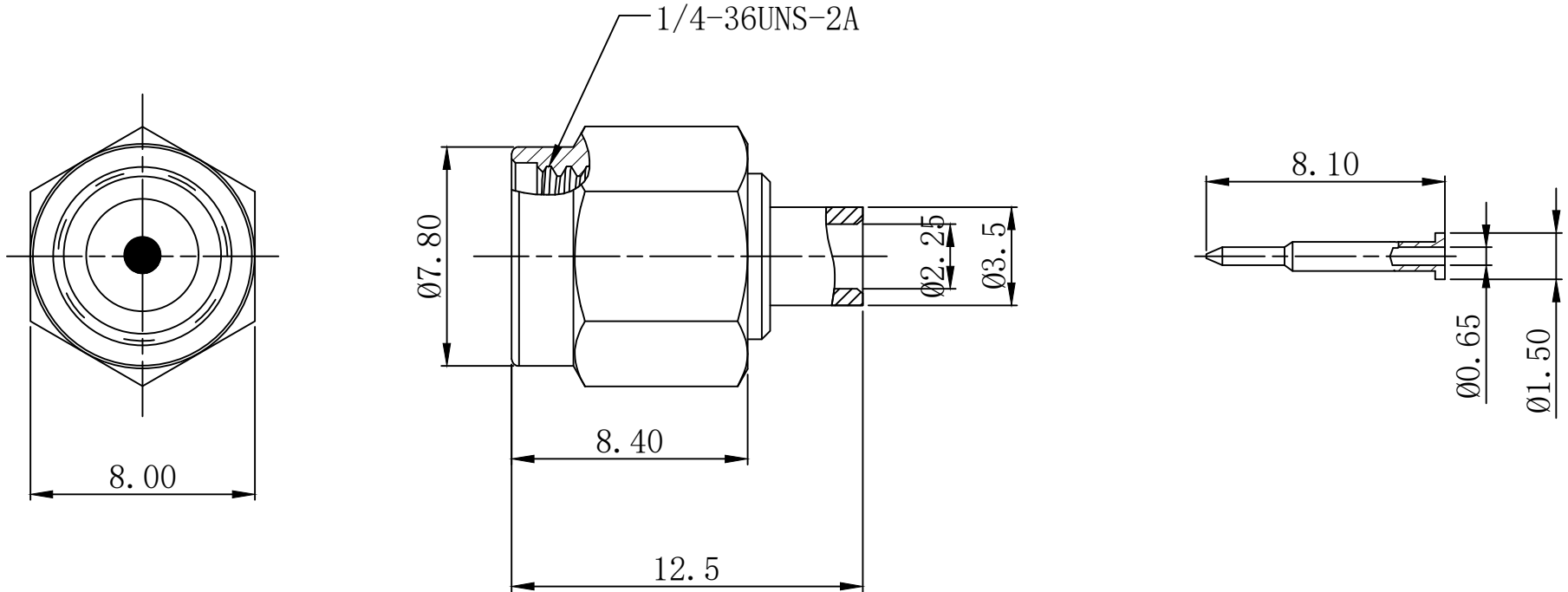




REV	DESCRIPTION	DRAWING	DATE
R1.0	First issue	Riky	2024.12.10



Specifications:  
 IMPEDANCE: 50 Ohms  
 Frequency range: 0~6GHZ  
 VSWR: 1.5MAX  
 Voltage Rating: 335 Volts RMS Continuous  
 Dielectric withstand voltage: 1000 V  
 Service life: ≥500  
 Insulation Resistance ≥5000MΩ  
 Center contact resistance: ≤3mΩ  
 Outer contact resistance: ≤2mΩ  
 Operation Temperature: -55°C ~ +165°C

3	PIN	BRASS	GOLD	1
2	INSULATOR	PTFE	NONE	1
1	BODY	BRASS	GOLD	1
NO	DESCRIPTION	MATERIAL	FINISH	QTY

-TOLERANCES-  
 UNLESS OTHERWISE  
 SPECIFIED

UNLESS OTHERWISE SPECIFIED  
 TOLERANCES FOR MILLIMETERS ARE:  
 0.5 - 8mm ± 0.20mm  
 8 - 30mm ± 0.25mm  
 30 - 120mm ± 0.30mm

**Buy From Original Factory**  
[www.elecbee.com](http://www.elecbee.com)

**ELECbee**  
 Not Your Usual Factory

PART NAME: SMA PLUG FOR RG405 CABLE

P/N: EB-SMA-CS-ST-M-6-032

Appr: Jim  
 Check: Jason  
 Draw: Riky

Date	Scale	Unit	Rev	Page
2024.12.10	1:1	MM	R1.0	1/1