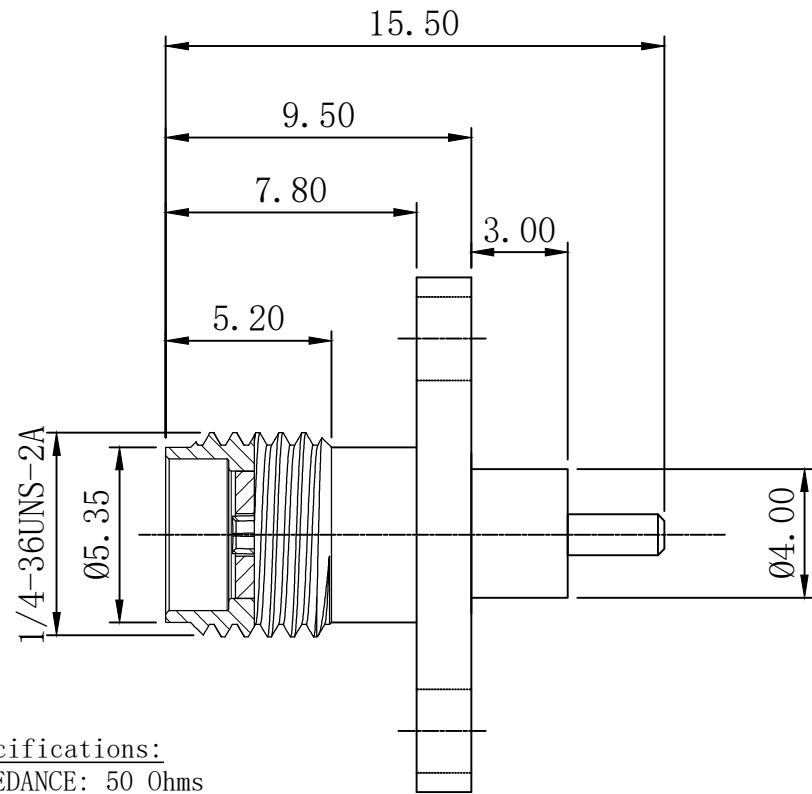


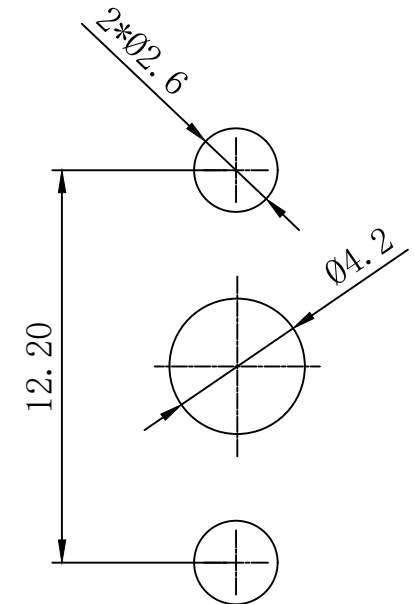
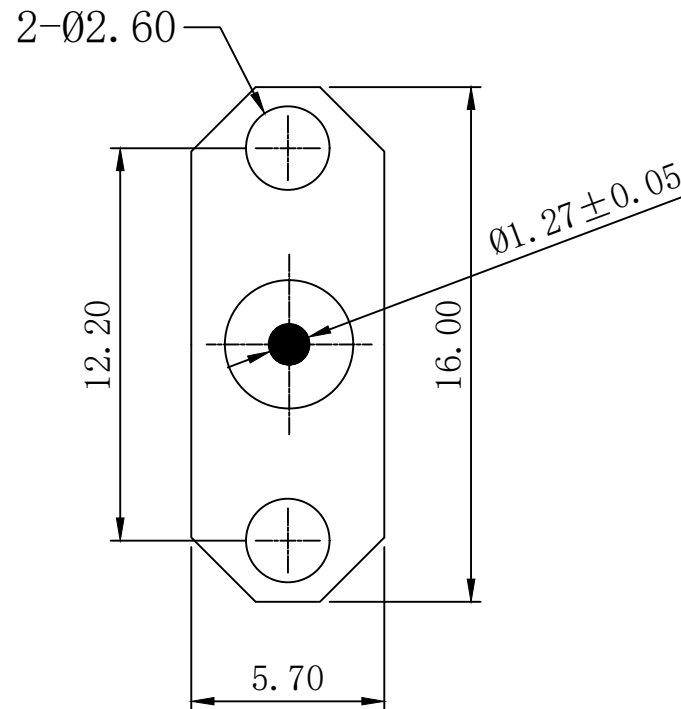


REV	DESCRIPTION	DRAWING	DATE
R1.0	First issue	Riky	2024.12.10



Specifications:

IMPEDANCE: 50 Ohms
 Frequency range: 0~6GHZ
 VSWR: 1.3MAX
 Voltage Rating: 335 Volts RMS Continuous
 Dielectric withstand voltage: 1000 V
 Service life: ≥500
 Insulation Resistance ≥5000MΩ
 Center contact resistance: ≤3mΩ
 Outer contact resistance : □ ≤2mΩ
 Operation Temperature: -55°C ~ +165°C



RECOMMENDED MOUNTING HOLE

NO	DESCRIPTION	MATERIAL	FINISH	QTY
3	PIN	BRASS	GOLD	1
2	INSULATOR	PTFE	NONE	1
1	BODY	BRASS	GOLD	1

-TOLERANCES- UNLESS OTHERWISE SPECIFIED	Buy From Original Factory www.elecbee.com					
	PART NAME: SMA 2-hole Flange Mount Jack Receptacle					
UNLESS OTHERWISE SPECIFIED TOLERANCES FOR MILLIMETERS ARE: 0.5 - 8mm ± 0.20mm 8 - 30mm ± 0.25mm 30 -120mm ± 0.30mm	Appr: Jim	P/N: EB-SMA-FMT-ST-F-6-035				
	Check: Jason	Date: 2024.12.10	Scale: 1:1	Unit: MM	Rev: R1.0	Page: 1/1
	Draw: Riky					