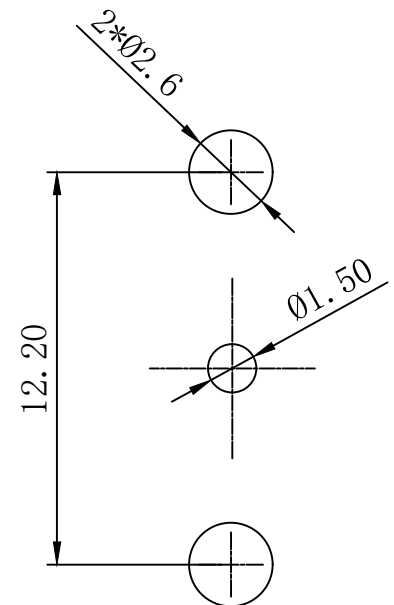
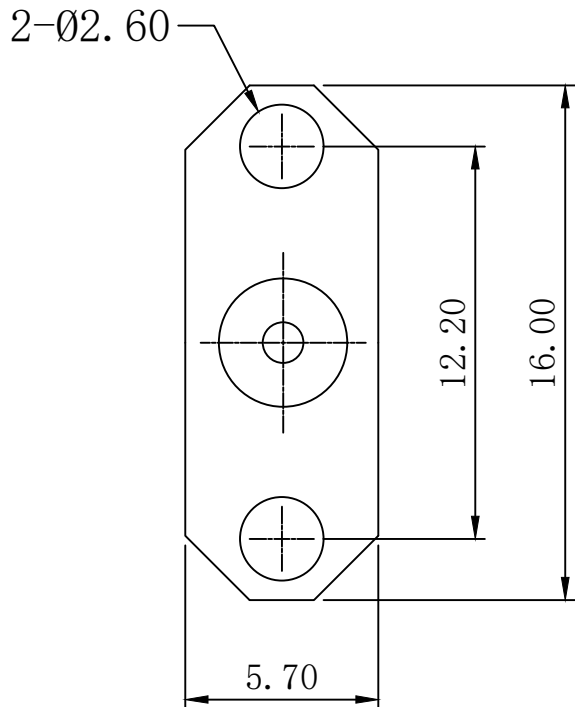
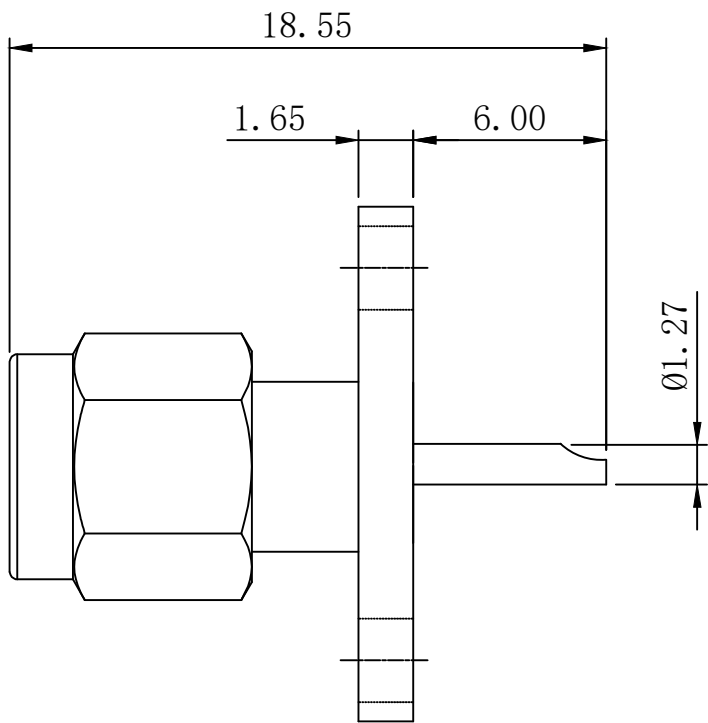




REV	DESCRIPTION	DRAWING	DATE
R1.0	First issue	Riky	2024.12.10



RECOMMENDED MOUNTING HOLE

Specifications:

- IMPEDANCE: 50 Ohms
- Frequency range: 0~6GHZ
- VSWR: 1.3MAX
- Voltage Rating: 335 Volts RMS Continuous
- Dielectric withstand voltage: 1000 V
- Service life: ≥500
- Insulation Resistance ≥5000MΩ
- Center contact resistance: ≤3mΩ
- Outer contact resistance : □ ≤2mΩ
- Operation Temperature: -55°C ~ +165°C

NO	DESCRIPTION	MATERIAL	FINISH	QTY
4	Coupling cap	BRASS	GOLD	1
3	PIN	BRASS	GOLD	1
2	INSULATOR	PTFE	NONE	1
1	BODY	BRASS	GOLD	1

<p>-TOLERANCES- UNLESS OTHERWISE SPECIFIED</p> <p>UNLESS OTHERWISE SPECIFIED TOLERANCES FOR MILLIMETERS ARE: 0.5 - 8mm ± 0.20mm 8 - 30mm ± 0.25mm 30 -120mm ± 0.30mm</p>	<p>Buy From Original Factory www.elecbee.com</p>		<p>PART NAME: SMA 2Hole Panel Plug Receptacle</p>				
	<p>Appr: Jim</p> <p>Check: Jason</p> <p>Draw: Riky</p>	<p>P/N: EB-SMA-FMT-ST-M-6-036</p>		Date	Scale	Unit	Rev
			2024.12.10	1:1	MM	R1.0	1/1