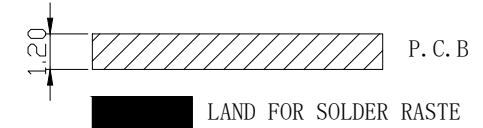
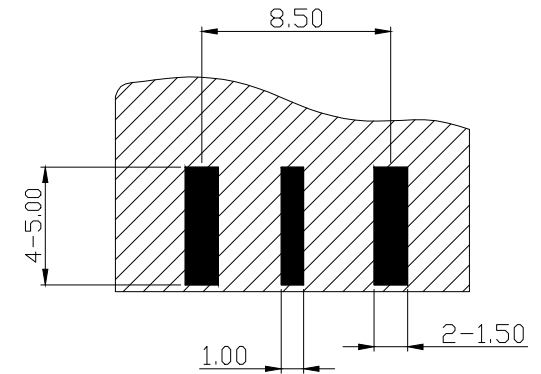
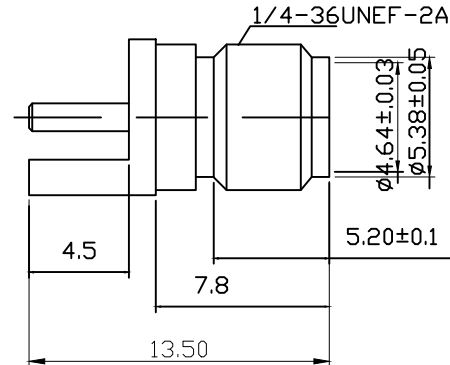
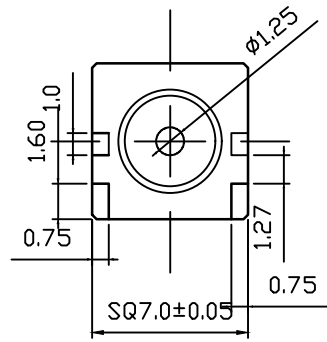
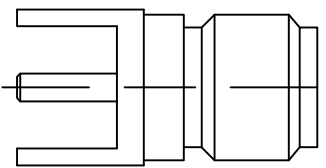




REV	DESCRIPTION	DRAWING	DATE
R1.0	First issue	Riky	2024.12.10



P. C. B LAYOUT DIM



Specifications:
 IMPEDANCE: 50 Ohms
 Frequency range: 0~6GHZ
 VSWR: 1.5MAX
 Voltage Rating: 335 Volts RMS Continuous
 Dielectric withstand voltage: 1000 V
 Service life: ≥500
 Insulation Resistance ≥5000MΩ
 Center contact resistance: ≤3mΩ
 Outer contact resistance: □ ≤2mΩ
 Operation Temperature: -55°C ~ +165°C

NO	DESCRIPTION	MATERIAL	FINISH	QTY
3	CONTACT PIN	BRASS	GOLD	1
2	INSULATOR	PTFE	NINE	1
1	BOOY	BRASS	GOLD	1

-TOLERANCES- UNLESS OTHERWISE SPECIFIED UNLESS OTHERWISE SPECIFIED TOLERANCES FOR MILLIMETERS ARE: 0.5 - 8mm ± 0.20mm 8 - 30mm ± 0.25mm 30 -120mm ± 0.30mm			Buy From Original Factory www.elecbee.com			
	PART NAME: SMA Jack PCB MOUNT		P/N: EB-SMA-BMT-ST-M-6-037			
Appr: Jim Check: Jason Draw: Riky	Date: 2024.12.10 Scale: 1:1 Unit: MM	Rev: R1.0	Page: 1/1			