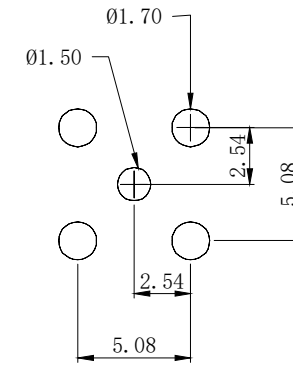
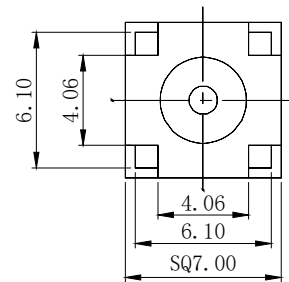
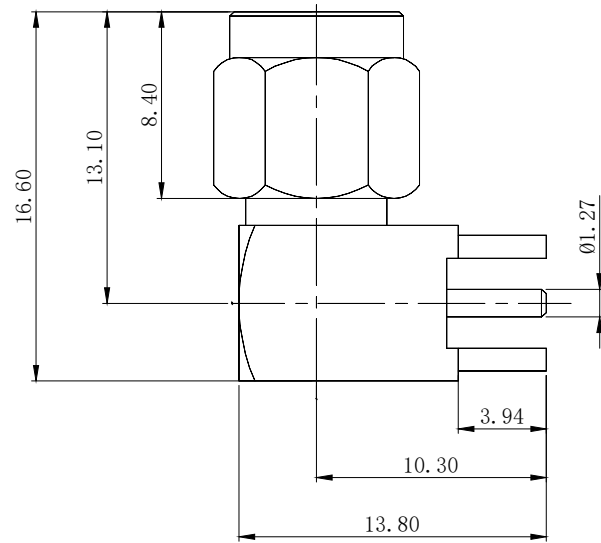




REV	DESCRIPTION	DRAWING	DATE
R1.0	First issue	Riky	2024.12.10



PCB MOUNTING HOLES

Specifications:
 IMPEDANCE: 50 Ohms
 Frequency range: 0~6GHZ
 VSWR: 1.5MAX
 Voltage Rating: 335 Volts RMS
 Continuous
 Dielectric withstand voltage: 1000 V
 Service life: ≥500
 Insulation Resistance ≥5000MΩ
 Center contact resistance: ≤3mΩ
 Outer contact resistance: ≤2mΩ
 Operation Temperature: -55°C ~ +165°C

4	WASHER	BRASS	GOLD	1
3	CONTACT PIN	BRASS	GOLD	1
2	INSULATOR	PTFE	NINE	1
1	BOOY	BRASS	GOLD	1
NO	DESCRIPTION	MATERIAL	FINISH	QTY

-TOLERANCES- UNLESS OTHERWISE SPECIFIED	Buy From Original Factory www.elecbee.com					
	PART NAME: SMA Jack CONNECTOR					
UNLESS OTHERWISE SPECIFIED TOLERANCES FOR MILLIMETERS ARE: 0.5 - 8mm ± 0.20mm 8 - 30mm ± 0.25mm 30 -120mm ± 0.30mm	Appr:	Jim	P/N: EB-SMA-TH-RA-M-6-038			
	Check:	Jason	Date	Scale	Unit	Rev
	Draw:	Riky	2024.12.10	1:1	MM	R1.0