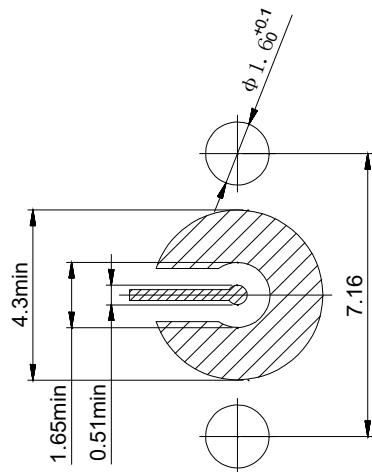
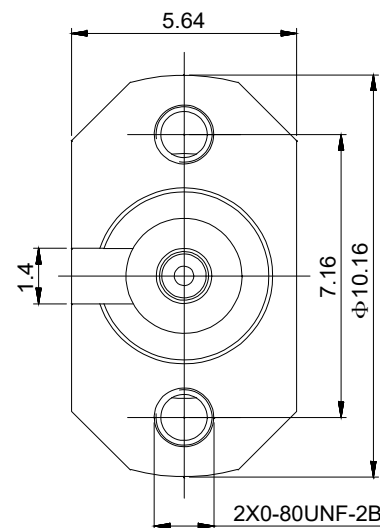
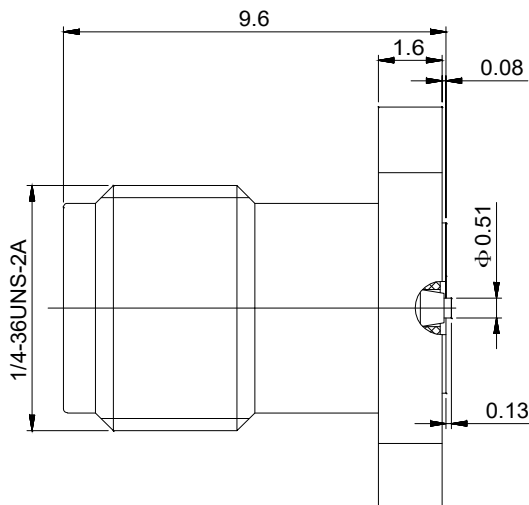




REV	DESCRIPTION	DRAWING	DATE
R1.0	First issue	Riky	2024.12.10



PCBLayout



Electrical performance
 Frequency Range: DC-27 GHz
 VSWR: 1.2:1 (max)
 Impedance 50 Ω
 Insertion Loss: ≤0.25dB
 Dielectric withstand voltage: 1000 V
 Service life: ≥500
 Insulation Resistance ≥5000MΩ
 Center contact resistance: ≤3mΩ
 Outer contact resistance : ≤2mΩ
 Operation Temperature: -55°C ~ +165°C
 Material
 Inner conductor material: Beryllium bronze Gold plating
 External conductor material: Stainless steel Passivation
 Insulator: PTFE

-TOLERANCES- UNLESS OTHERWISE SPECIFIED	Buy From Original Factory www.elecbee.com					
	PART NAME: 2-HOLE FLANGE SMA JACK SMT MOUNT CONNECTOR					
UNLESS OTHERWISE SPECIFIED TOLERANCES FOR MILLIMETERS ARE: 0.5 - 8mm ± 0.20mm 8 - 30mm ± 0.25mm 30 -120mm ± 0.30mm	Appr:	Jim	P/N: EB-SMA-FSMT-ST-F-26-044			
	Check:	Jason	Date	Scale	Unit	Rev
	Draw:	Riky	2024.12.10	1:1	MM	R1.0