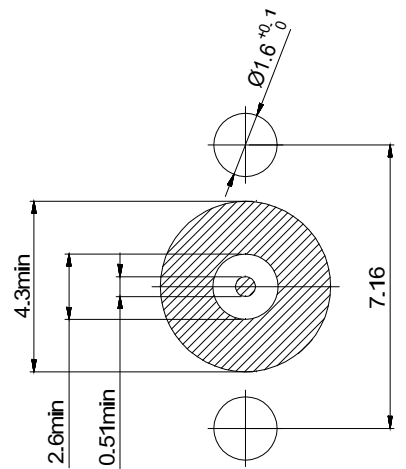
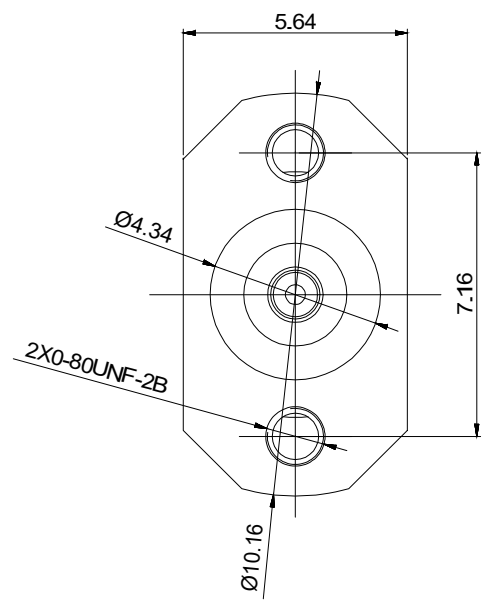
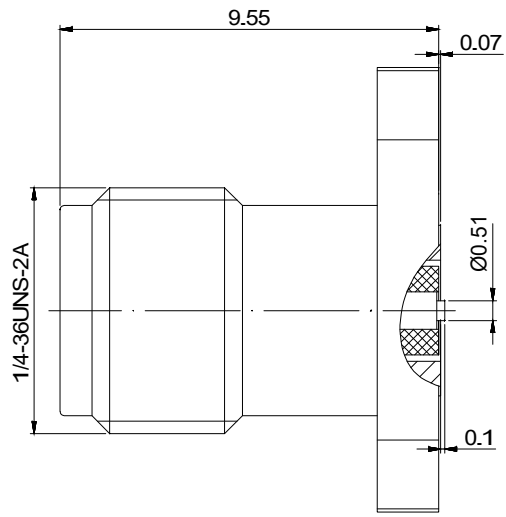




REV	DESCRIPTION	DRAWING	DATE
R1.0	First issue	Riky	2024. 12. 10



PCB LaYout



Electrical performance
 Frequency Range: DC-18 GHz
 VSWR: 1.2:1 (max)
 Impedance 50 Ω
 Insertion Loss: ≤0.06*√F(GHz) dB
 Dielectric withstand voltage: 1000 V
 Service life: ≥500
 Insulation Resistance ≥5000M Ω
 Center contact resistance: ≤3m Ω
 Outer contact resistance : □≤2m Ω
 Operation Temperature: -55°C ~ +165°C

Material
 Inner conductor material: Beryllium bronze Gold plating
 External conductor material: Stainless steel Passivation
 Insulator: PTFE

-TOLERANCES- UNLESS OTHERWISE SPECIFIED	Buy From Original Factory www.elecbee.com					
			PART NAME: 2-HOLE FLANGE SMA JACK SMT MOUNT CONNECTOR			
UNLESS OTHERWISE SPECIFIED TOLERANCES FOR MILLIMETERS ARE: 0.5 - 8mm ± 0.20mm 8 - 30mm ± 0.25mm 30 -120mm ± 0.30mm	Appr:	Jim	P/N: EB-SMA-FSMT-ST-F-18-045			
	Check:	Jason	Date	Scale	Unit	Rev
	Draw:	Riky	2024. 12. 10	1:1	MM	R1.0