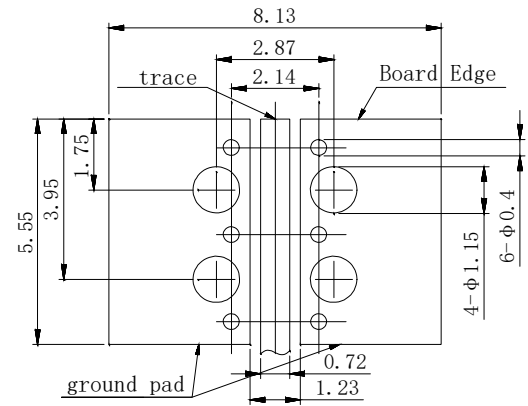
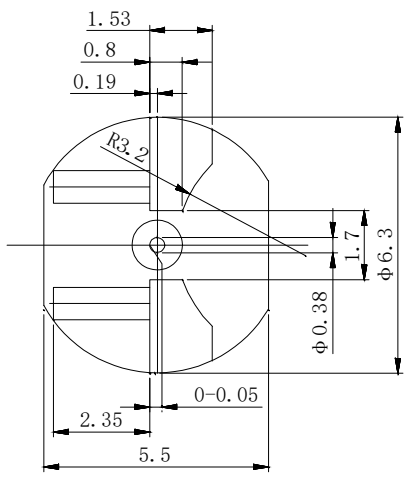
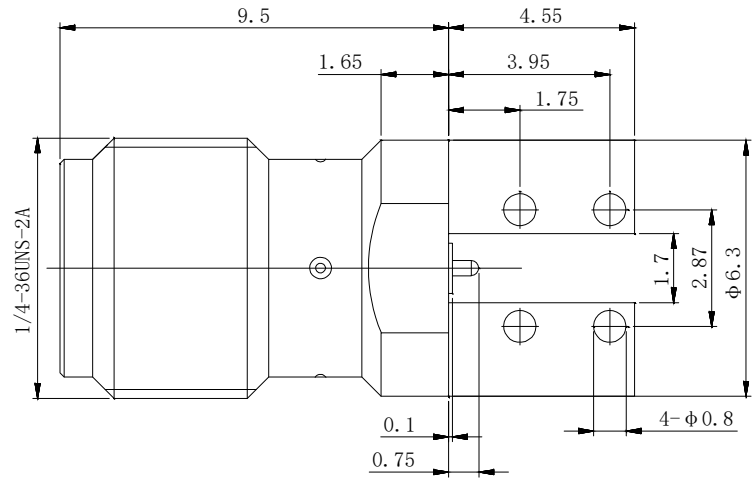




REV	DESCRIPTION	DRAWING	DATE
R1.0	First issue	Riky	2024.12.10



PCB Layout

Electrical performance
 Frequency Range: DC-27 GHz
 VSWR: $\leq 1.05 + 0.02 * F(\text{GHz}) @ \text{DC} \sim 18\text{GHz}$; $\leq 1.5 @ 18 \sim 26.5\text{GHz}$
 Impedance 50 Ω
 Insertion Loss: $\leq 0.05 * \sqrt{F(\text{GHz})}$ dB
 Dielectric withstand voltage: 1000 V
 Service life: ≥ 500
 Insulation Resistance $\geq 5000\text{M}\Omega$
 Center contact resistance: $\leq 3\text{m}\Omega$
 Outer contact resistance : $\leq 2\text{m}\Omega$
 Operation Temperature: $-55^\circ\text{C} \sim +165^\circ\text{C}$
 Material
 Inner conductor material: Beryllium bronze Gold plating
 External conductor material: Brass Gold plating
 Insulator: PTFE

-TOLERANCES- UNLESS OTHERWISE SPECIFIED	Buy From Original Factory www.elecbee.com					
			PART NAME: SMA JACK SMT MOUNT CONNECTOR			
UNLESS OTHERWISE SPECIFIED TOLERANCES FOR MILLIMETERS ARE: 0.5 - 8mm $\pm 0.20\text{mm}$ 8 - 30mm $\pm 0.25\text{mm}$ 30 -120mm $\pm 0.30\text{mm}$	Appr:	Jim	P/N: EB-SMA-SMT-ST-F-26-047			
	Check:	Jason	Date	Scale	Unit	Rev
	Draw:	Riky	2024.12.10	1:1	MM	R1.0