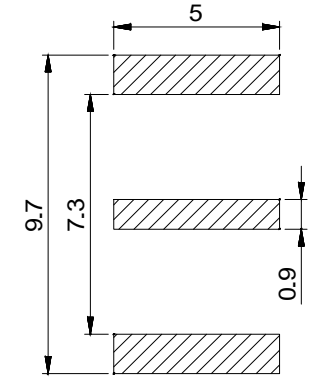
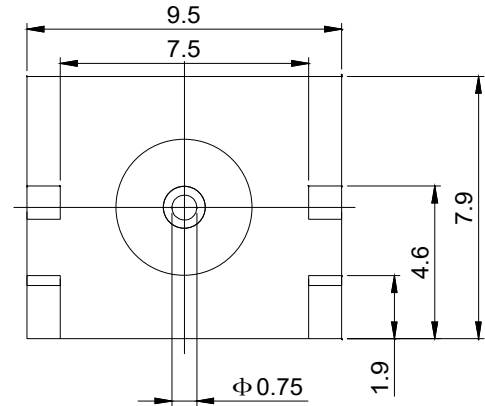
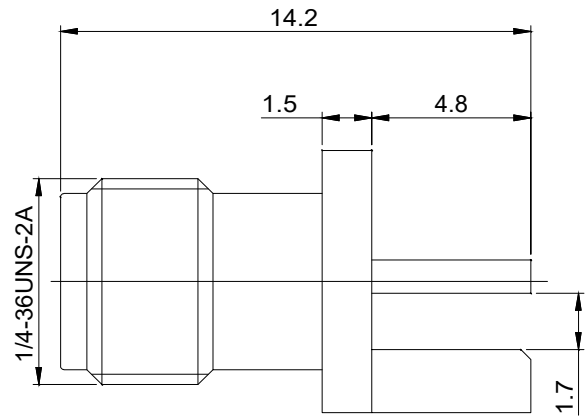




REV	DESCRIPTION	DRAWING	DATE
R1.0	First issue	Riky	2024.12.10



Recommended PCB panel size

Electrical performance

Frequency Range: DC-18 GHz

VSWR: 1.2:1 (max)

Impedance 50 Ω

Insertion Loss: $\leq 0.05 \cdot \sqrt{F(\text{GHz})}$ dB

Dielectric withstand voltage: 1000 V

Service life: ≥ 500

Insulation Resistance $\geq 5000M\Omega$

Center contact resistance: $\leq 3m\Omega$

Outer contact resistance: $\leq 2m\Omega$

Operation Temperature: $-55^{\circ}\text{C} \sim +165^{\circ}\text{C}$

Material

Inner conductor material: Beryllium bronze Gold plating

External conductor material: Brass Gold plating

Insulator: PTFE

<p>-TOLERANCES- UNLESS OTHERWISE SPECIFIED</p>	<p> Buy From Original Factory www.elecbee.com</p>					
	<p> PART NAME: SMA JACK CARD PLATE 1.6MM CONNECTOR</p>					
<p>UNLESS OTHERWISE SPECIFIED TOLERANCES FOR MILLIMETERS ARE: 0.5 - 8mm $\pm 0.20\text{mm}$ 8 - 30mm $\pm 0.25\text{mm}$ 30 -120mm $\pm 0.30\text{mm}$</p>	Appr:	Jim	P/N: EB-SMA-BMT-ST-F-18-049			
	Check:	Jason	Date	Scale	Unit	Rev
	Draw:	Riky	2024.12.10	1:1	MM	R1.0