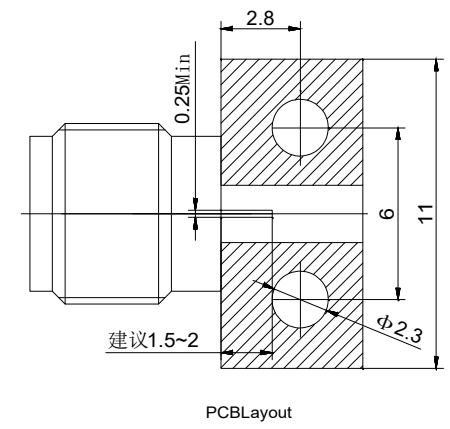
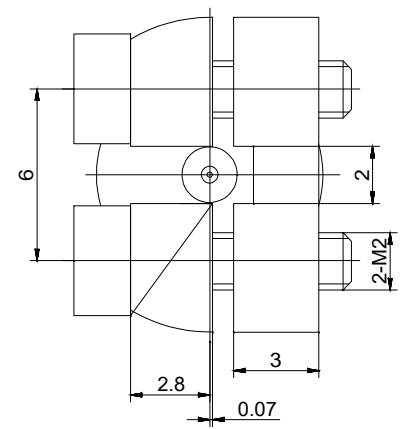
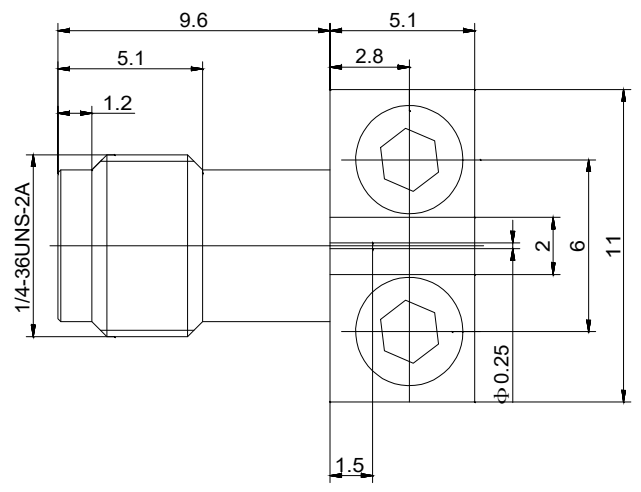




| | | | |
|------|-------------|---------|------------|
| REV | DESCRIPTION | DRAWING | DATE |
| R1.0 | First issue | Riky | 2024.12.10 |



Electrical performance
 Frequency Range: DC-18 GHz
 VSWR: 1.25:1 (max)
 Impedance 50 Ω
 Insertion Loss: ≤0.1*√F(GHz) dB
 Dielectric withstand voltage: 1000 V
 Service life: ≥500
 Insulation Resistance ≥5000MΩ
 Center contact resistance: ≤3mΩ
 Outer contact resistance : ≤2mΩ
 Operation Temperature: -55°C ~ +165°C
 Material
 Inner conductor material: Beryllium bronze Gold plating
 External conductor material: Brass Gold plating
 Insulator: PTFE

| | | | | | | |
|--|--|-------|--|-------|------|------|
| -TOLERANCES- UNLESS OTHERWISE SPECIFIED | Buy From Original Factory www.elecbee.com | | | | | |
| | | | PART NAME: SMA JACK FOR PCB CONNECTOR | | | |
| UNLESS OTHERWISE SPECIFIED TOLERANCES FOR MILLIMETERS ARE: 0.5 - 8mm ± 0.20mm 8 - 30mm ± 0.25mm 30 -120mm ± 0.30mm | Appr: | Jim | P/N: EB-SMA-TH-RA-F-18-050 | | | |
| | Check: | Jason | Date | Scale | Unit | Rev |
| | Draw: | Riky | 2024.12.10 | 1:1 | MM | R1.0 |