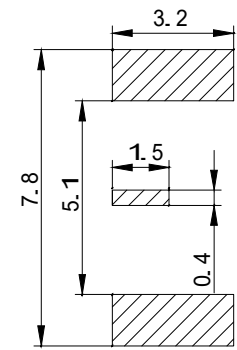
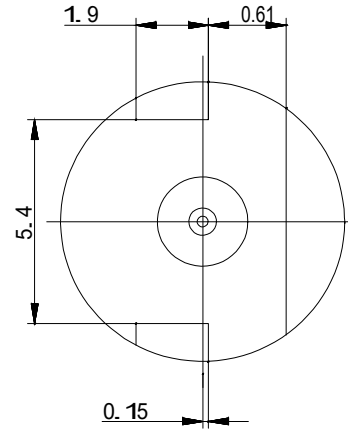
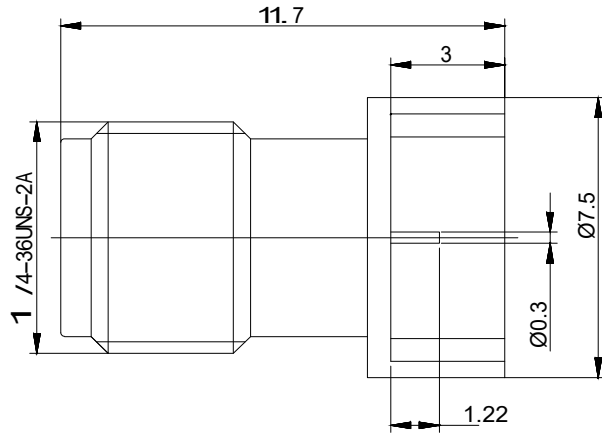




REV	DESCRIPTION	DRAWING	DATE
R1.0	First issue	Riky	2024.12.10



Recommended PCB panel size

Electrical performance

Frequency Range: DC-27 GHz

VSWR: 1.15:1 (max)

Impedance 50 Ω

Insertion Loss: $\leq 0.05 \cdot \sqrt{F}$ (GHz) dB

Dielectric withstand voltage: 1000 V

Service life: ≥ 500

Insulation Resistance $\geq 5000M\Omega$

Center contact resistance: $\leq 3m\Omega$

Outer contact resistance : $\leq 2m\Omega$

Operation Temperature: $-55^{\circ}C \sim +165^{\circ}C$

Material

Inner conductor material: Beryllium bronze Gold plating

External conductor material: Brass Gold plating

Insulator: PEI&PTF

<p>-TOLERANCES- UNLESS OTHERWISE SPECIFIED</p>			<p>Buy From Original Factory www.elecbee.com</p>				
			<p>PART NAME: SMA JACK SMT MOUNT CONNECTOR</p>				
<p>UNLESS OTHERWISE SPECIFIED TOLERANCES FOR MILLIMETERS ARE: 0.5 - 8mm $\pm 0.20mm$ 8 - 30mm $\pm 0.25mm$ 30 -120mm $\pm 0.30mm$</p>	Appr:	Jim	P/N: EB-SMA-SMT-ST-F-26-B1-052				
	Check:	Jason	Date	Scale	Unit	Rev	Page
	Draw:	Riky	2024.12.10	1:1	MM	R1.0	1/1