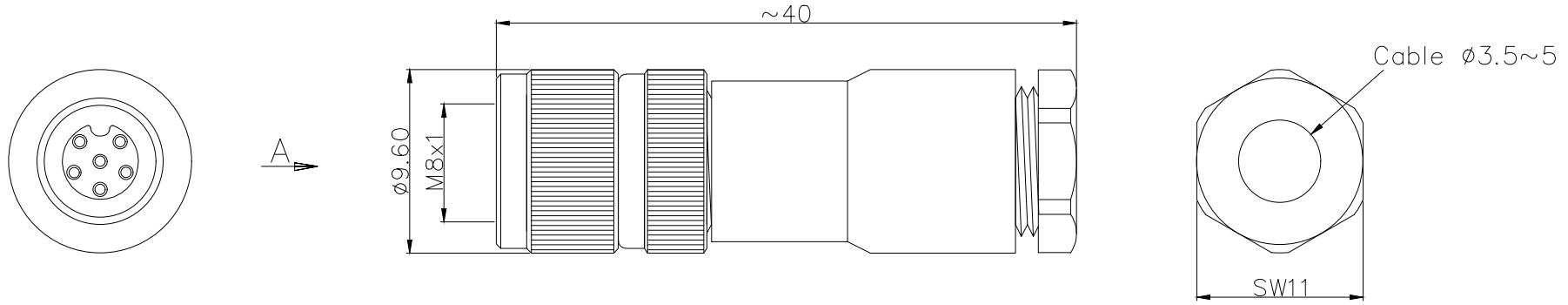


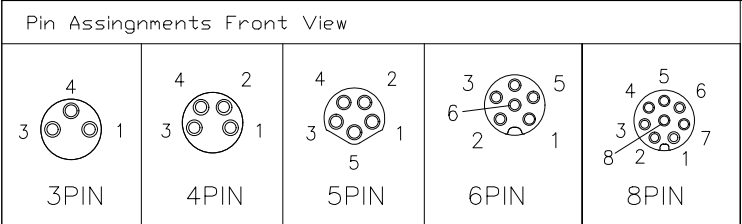


REV	DESCRIPTION	DRAWING	DATE
R1.0	First issue	Xiong	2024.12.09



### Specifications

Connector locking system:	Screw
Termination	Soldering
Temperature range:	-25°C ~ +80°C
Machanical mating:	> 100
Contact resistance:	≤5mΩ
Insulation resistance:	>100 MΩ
Contact material:	CuZn gold plated over nickel
Insert material:	PA66+GF
Screw nut material:	CuZn nickel plated
Panel seal:	NBR black
Body:	PA66+GF



Rated voltage/current:  
 3pin: 60V/3A  
 4pin: 60V/3A  
 5pin: 60V/3A  
 6,8pin: 30V/1.5A

-TOLERANCES- UNLESS OTHERWISE SPECIFIED	<b>Buy From Original Factory</b> <a href="http://www.elecbee.com">www.elecbee.com</a>				
	PART DESCRIPTION: M8 MALE CONNECTOR, plastic, solder type 6PIN				
UNLESS OTHERWISE SPECIFIED TOLERANCES FOR MILLIMETERS ARE: 0.5 - 8mm ± 0.20mm 8 - 30mm ± 0.25mm 30 -120mm ± 0.30mm	Appr: Jim	P/N: EB-400-1296			
	Check: Jason	Date	Scale	Unit	Rev
	Draw: Xiong	2024.12.10	1:1	MM	R1.0